



Pump Cooler For DDC/MCP355 Installation Guide

Installation Guide :1

M4x30MM Screws

Pump Cooler For DDC/MCP355

Insulation Pads

2MM Thermal Pad

Pump Cooler For DDC/MCP355

MCP355 Pump **Not Included**

O-Ring **Not Included**

Premium Magic-Cube Type
DDC MOD TOP **Not Included**

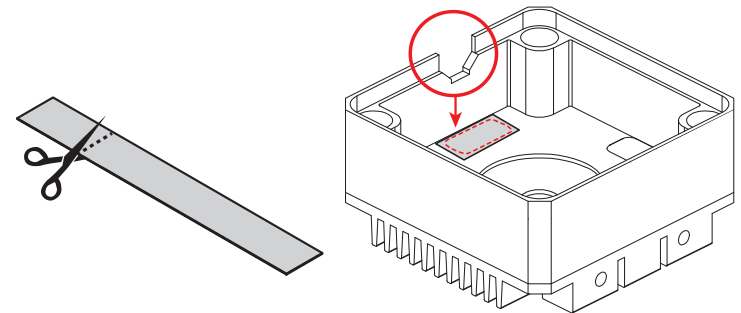
Installation Guide :2

M4x20 MM Screws

 **Important**

Must finish this step in order to avoid a short circuit.

Cut a piece from the insulation pad and paste on a circle place, then assemble it as the same surface with the electric wire hole.



Accessories

 M4x30MM Screws 4PCS

 M4x20MM Screws 4PCS

MCP355 TOP **Not Included**