

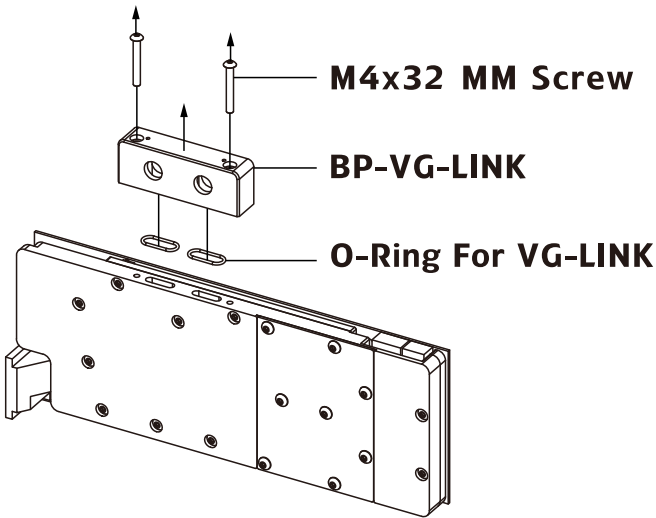


Bitpower®

# VGA SLI/Crossfire Bridge For 2

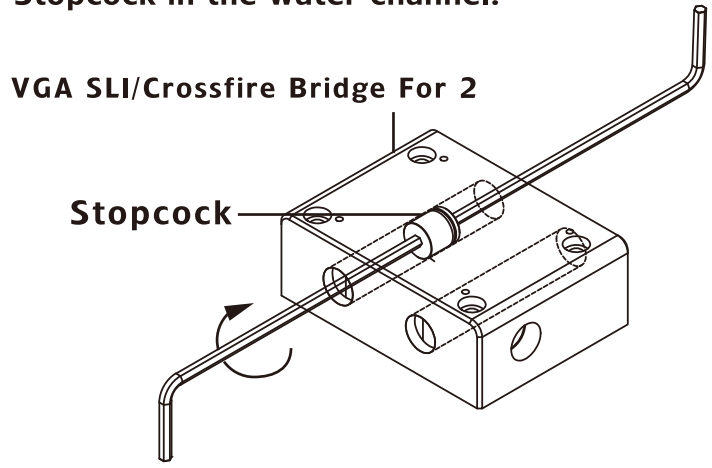
## Installation Guide

### Step 1

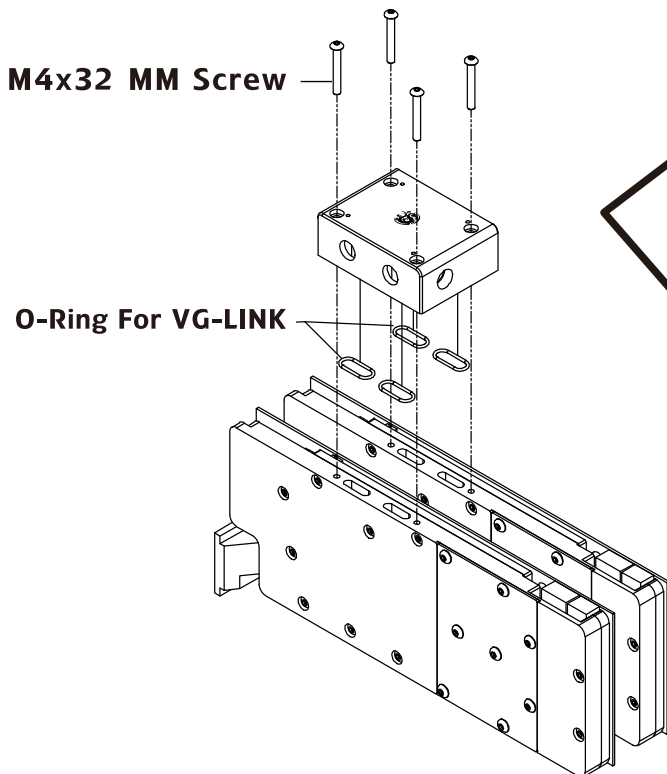


### Step 2

Fix the wrench on one side, and the other wrench on the other side should be used in locking the Stopcock in the water channel.



### Step 3



### Example

 Stopcock  
 Liquid

