

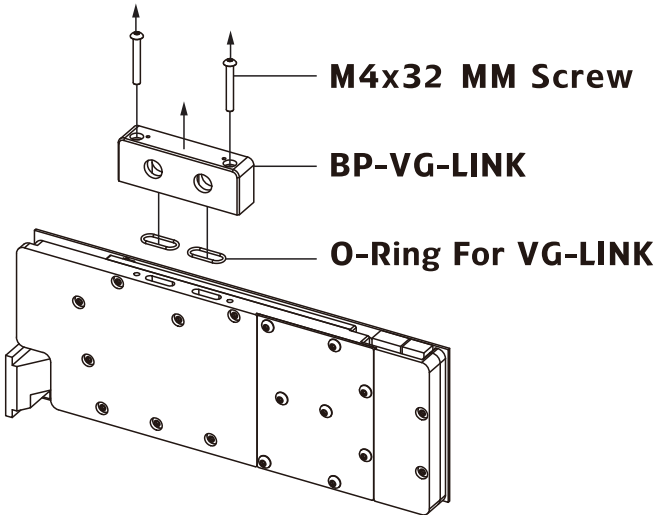


Bitpower®

VGA SLI/Crossfire Bridge For 3/4

Installation Guide

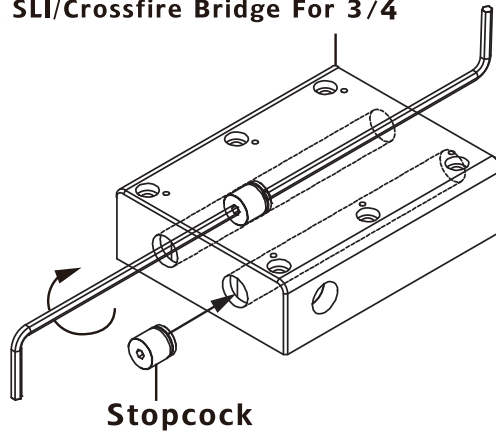
Step 1



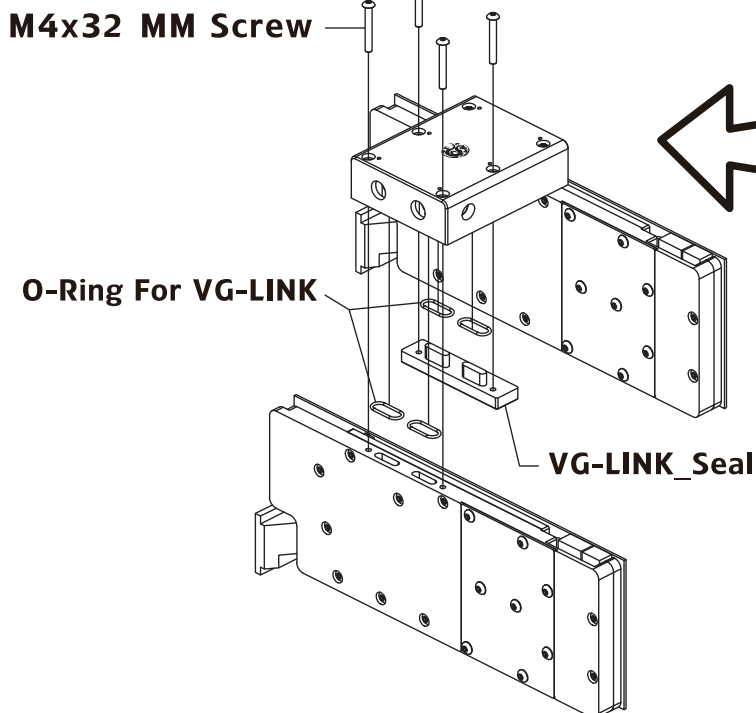
Step 2

Fix the wrench on one side, and the other wrench on the other side should be used in locking the Stopcock in the water channel.


VGA SLI/Crossfire Bridge For 3/4



Step 3



Example

 Stopcock
 Liquid

