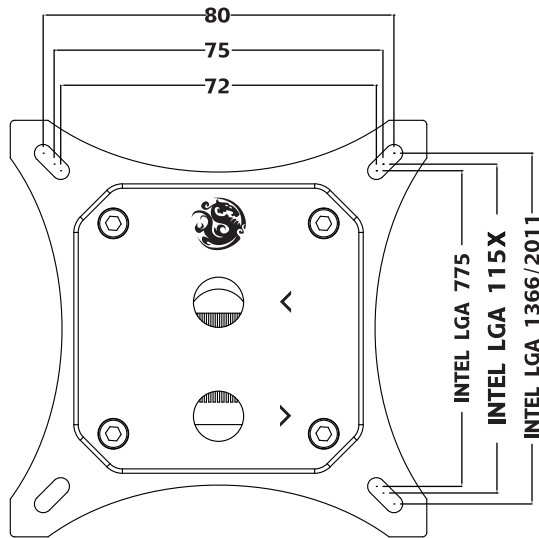


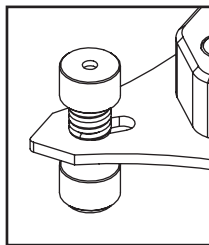


Bitspower®

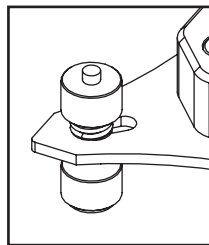
Bitspower CPU Block Summit EF (Intel) Installation Guide



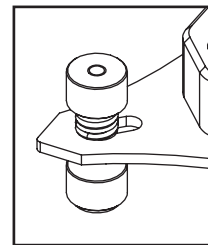
INTEL LGA 775
INTEL LGA 115X
INTEL LGA 1366
INTEL LGA 2011



×

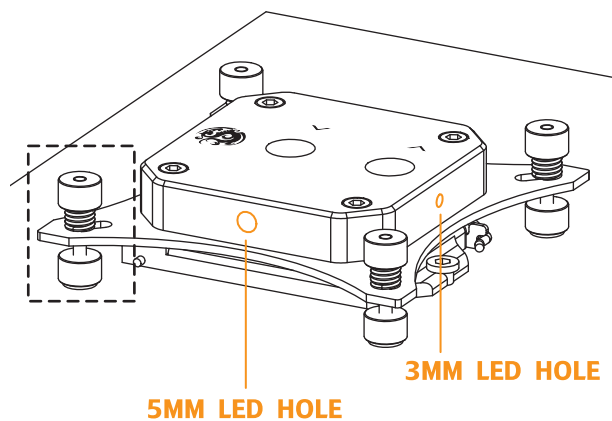


×



○

Please refer to the illustration lock nut to the position.



LED holes only available on clear acrylic top version.

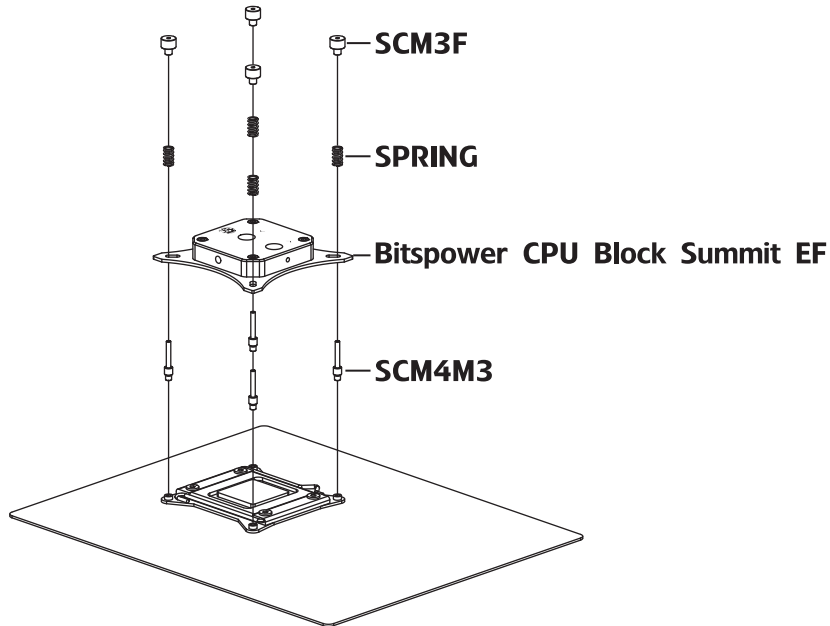
NOTE : 24 HOURS LEAKAGE TEST BEFORE USING



Bitspower®

Bitspower CPU Block Summit EF (Intel) Installation Guide

Bitspower CPU Block Summit EF For INTEL 2011



Bitspower CPU Block Summit EF For INTEL 775/115X/1366

