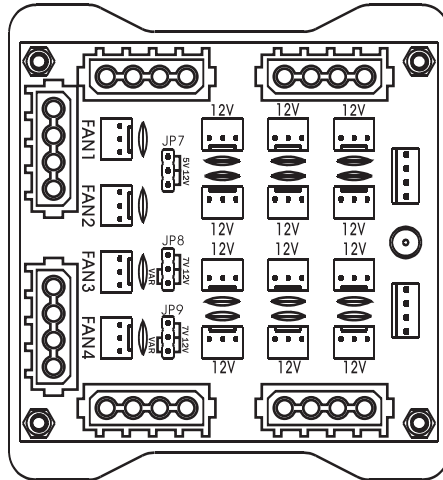




Bitspower®

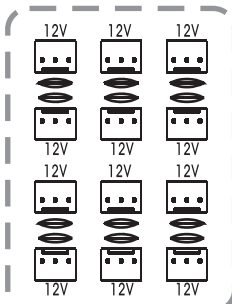
X-Station Mini Power-Extension II Female Version Installation Guide



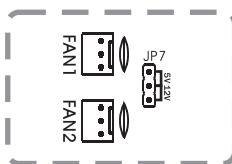
Small 4PIN Input (Male) 2 PCS



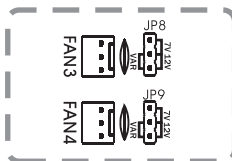
Big 4PIN Output (Female) 6 PCS



Small 3PIN 12V DC 12 PCS



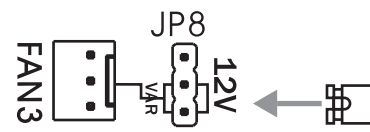
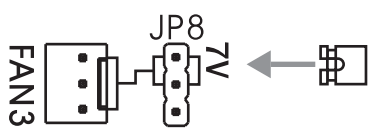
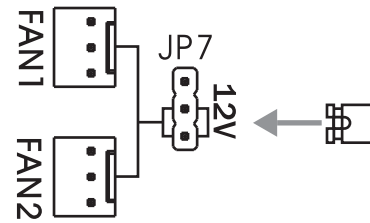
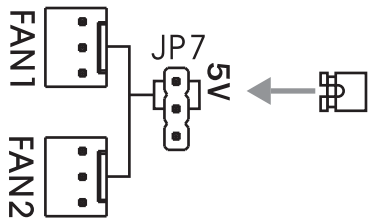
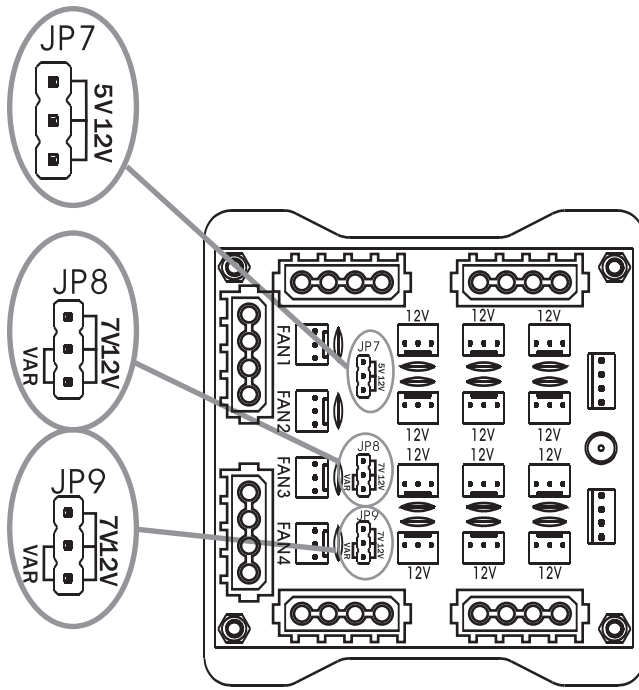
Small 3PIN 5V/12V DC 2 PCS



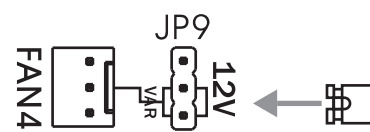
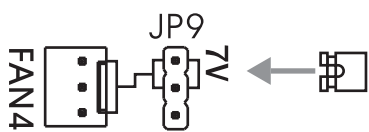
Small 3PIN 7V/12V/*VAR DC 2 PCS

***VAR: Current < 0.35A/PCS**

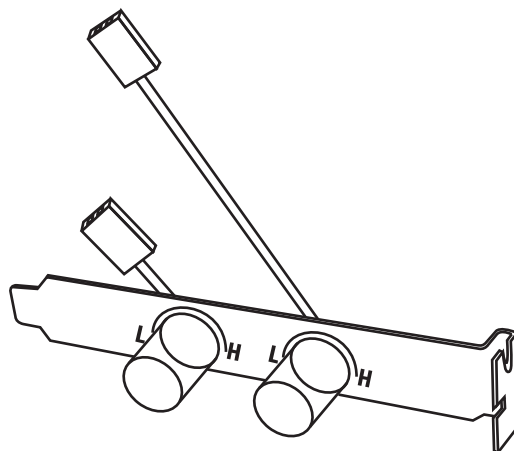
Dimension	81.5 x 88 x 20 MM	
Accessories	Black Double Side Tape	2 PCS
	Dual-VR Single PCI Bracket	1 SET
	Big 4 PIN To Small 4PIN 100MM	2 PCS



OR 



OR 



Dual-VR Single PCI Bracket