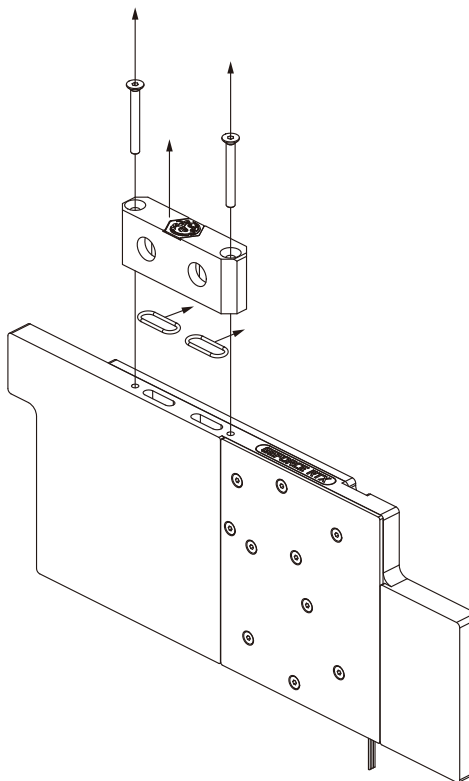


◀ 安裝方式/Installation/安装方式

Step 1

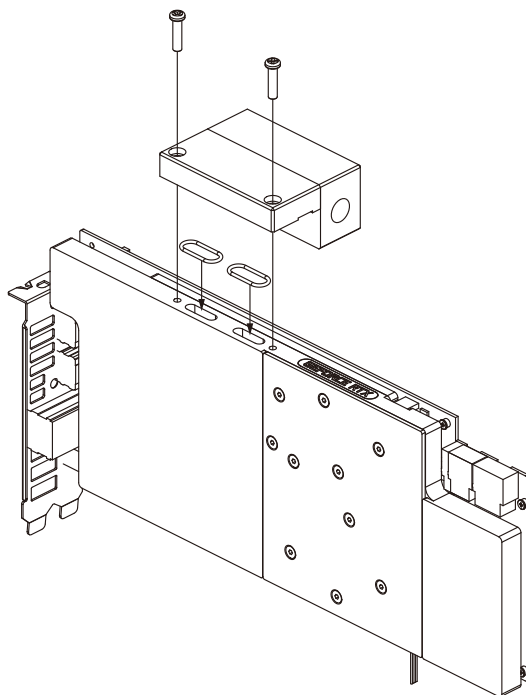
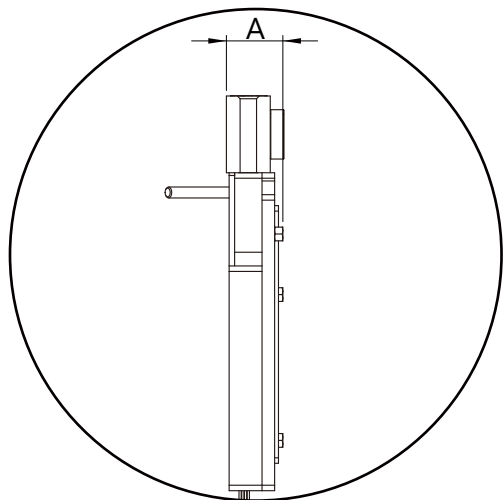
拆開冷頭上的Link
 Take apart the VGA link on the block.
 拆开冷头上的Link




Step 2

安裝BP-VGAMDLC
 Install the BP-VGAMDLC.
 安装BP-VGAMDLC

A尺寸：20mm以下適用



 注意·跑水前·請先確認所有零件已安裝在正確的位置上·在不開主機·單開水泵的情況下·進行24小時的跑水測試·確保無漏水情況後再開主機·避免發生漏水而導致電腦零件的損壞。
 Before filling in the water, please make sure all the components are installed correctly. To prevent any leakage which may damage the PC components, please perform a 24-hour leaking test with only the pump connected to the power supply.

注意·跑水前·請先确认所有零件已安装在正确的位置上·在不开主机·单开水泵的情况下·进行24小时的跑水测试·确保无漏水情况后开主机·避免发生漏水而导致电脑零件的损坏。

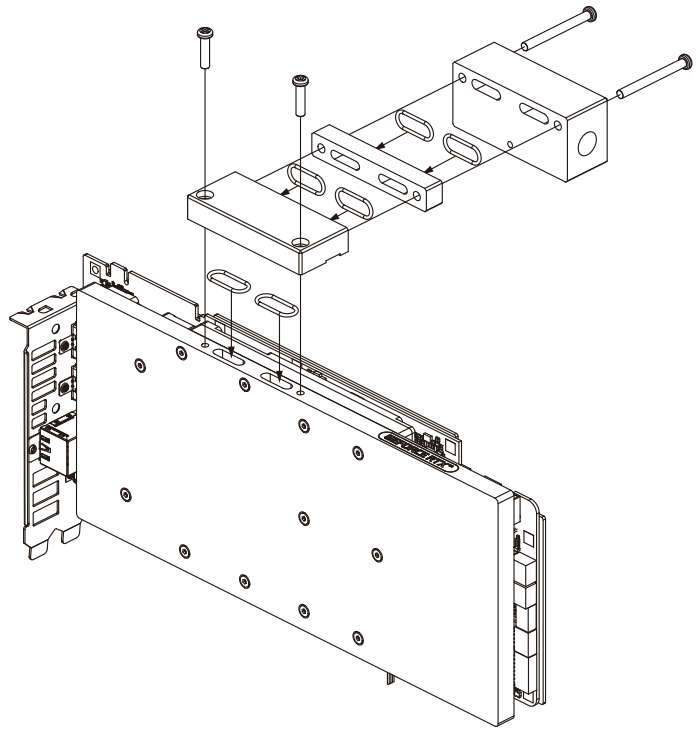
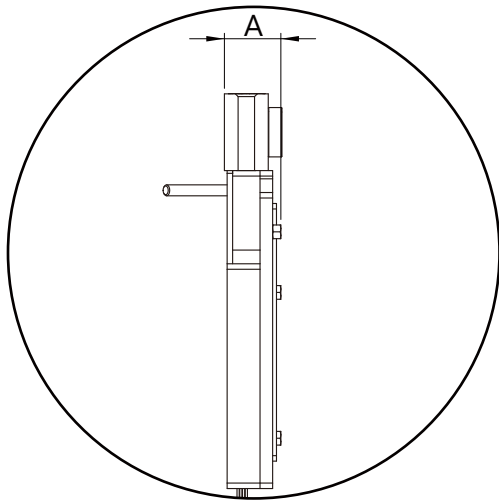
本公司保留對產品的設計更改以及解釋的權力·如有更動恕不另行通知·產品顏色與配件以實物為準。

Bitspower reserves the right to change the product design and interpretations. These are subject to change without notice. Product colors and accessories are based on the actual product.

本公司保留对产品的的设计更改以及解释的权力·如有更动恕不另行通知·产品颜色与配件以实物为准。

安裝BP-VGAMD LAC+Link C
Install the BP-VGAMD LAC+Link C.
安装BP-VGAMD LAC+Link C

A尺寸：超過20mm以上適用



注意：Bitpower建議消費者使用蒸餾水、純淨水，加入Bitpower的染劑作為水冷液使用；如客戶自行



選購的水冷液導致電鍍層剝落、水道堵塞、水泵轉動不正常、水箱管破裂或密封圈變型以致漏水等及其它不可抗力之問題時，消費者自行承擔相關產品責任。

未注水前，請勿啟動水泵電源。

Notice: Bitpower recommends that consumers add the Bitpower dye to distilled water or purified



water for their water-cooling liquid. If the consumer chooses different water-cooling liquids, the resulting impurities may cause peeling of the coating on some of the hardware, water channels blockage by built-up residue, improper operation of the water pump, water tank tube breakage, and o-rings deformation leading to leakage. Any issues related to the use of inappropriate water-cooling liquid will be the responsibility of the consumer.

Do not turn on the pump if the reservoir is empty.

注意：Bitpower 建議消費者使用蒸餾水、純淨水，加入Bitpower的染劑作為水冷液使用；如客戶自



行選購的水冷液導致電鍍層剝落、水道堵塞、水泵轉動不正常、水箱管破裂或密封圈變型以致漏水等及其它不可抗力之問題時，消費者自行承担相关产品责任。

未注水前，請勿启动水泵电源。



注意：跑水前，請先確認所有零件已安裝在正確的位置上。在不開主機、單開水泵的情況下，進行24小時的跑水測試，確保無漏水情況後再開主機，避免發生漏水而導致電腦零件的損壞。

Before filling in the water, please make sure all the components are installed correctly. To prevent any leakage which may damage the PC components, please perform a 24-hour leaking test with only the pump connected to the power supply.

注意：跑水前，請先确认所有零件已安装在正确的位置上。在不开主机、单开水泵的情况下，进行24小时的跑水测试，确保无漏水情况后开主机，避免发生漏水而导致电脑零件的损坏。

本公司保留對產品的設計更改以及解釋的權力，如有更動恕不另行通知，產品顏色與配件以實物為準。

Bitpower reserves the right to change the product design and interpretations. These are subject to change without notice. Product colors and accessories are based on the actual product.

本公司保留对产品的设计更改以及解释的权力，如有更动恕不另行通知，产品颜色与配件以实物为准。