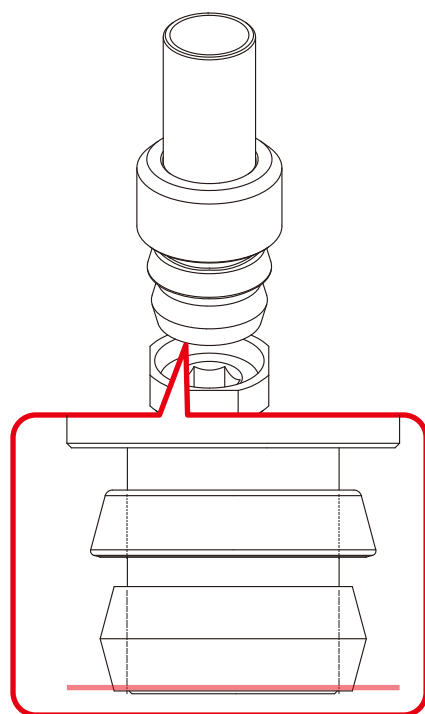
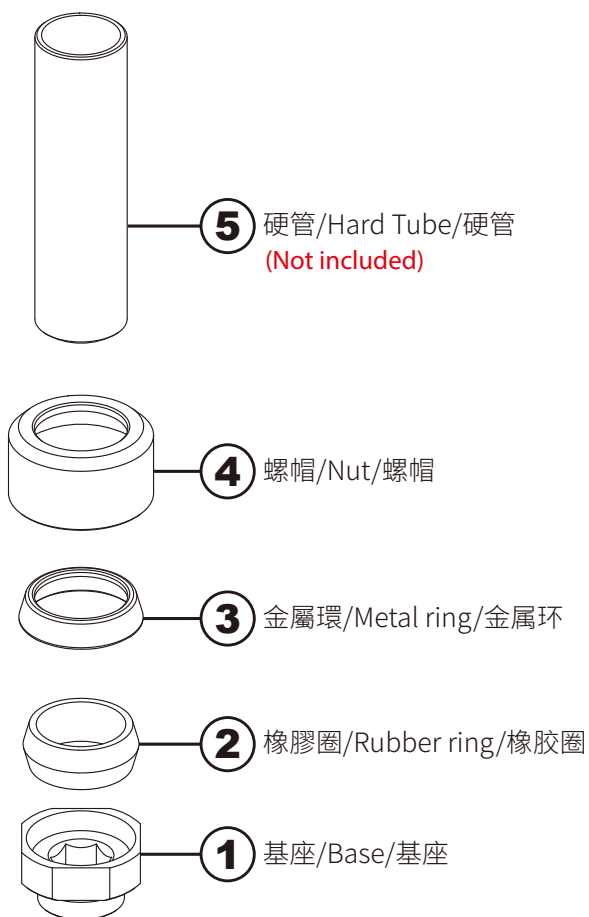


G1/4" Advanced Multi-Link For OD

Step 1

先將螺帽、金屬環、橡膠圈套於硬管上
First install the nut, metal ring and rubber ring on the hard tube.

先将螺帽、金属环、橡胶圈套于硬管上



橡膠圈部分建議與硬管切齊
The rubber ring is recommended to be aligned with the front end of the hard tube.

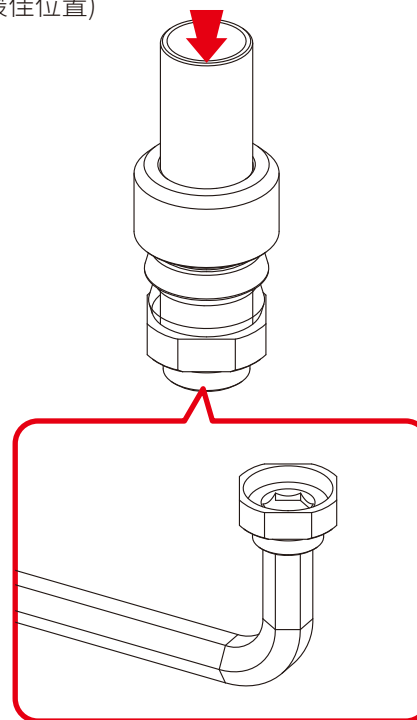
橡膠圈部分建议与硬管切齐

Step 2

將硬管端向基座施力至無法再下壓(此時橡膠圈將置於最佳位置)

Then force the hard tube to the base until it can no longer be pressed down (the rubber ring will be in the best position at this time)

将硬管端向基座施力至无法再下压(此时橡胶圈将置于最佳位置)



安裝接頭建議配戴防割手套避免受傷,也可以利用工具協助安裝(8號六角扳手)

It is recommended to wear cut-resistant gloves or to use M8 hex wrenches to avoid hurts when installing the fitting.

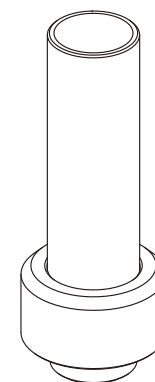
安装接头建议配戴防割手套避免受伤,也可以利用工具协助安装(8号六角扳手)

Step 3

最後輕輕向下施力同時鎖緊螺帽


Finally, gently apply force the tube and then tightening the nut.

最后轻轻向下施力同时锁紧螺帽






注意：Bitspower建議消費者使用蒸餾水、純淨水，加入Bitspower的染劑作為水冷液使用；如客戶自行選購的水冷液導致電鍍層剝落、水道堵塞、水泵轉

 動不正常、水箱管破裂或密封圈變型以致漏水等及其它不可抗力之問題時，消費者自行承擔相關產品責任。
未注水前，請勿啟動水泵電源。

Notice:Bitspower recommends that consumers add the Bitspower dye to distilled water or purified water for their water-cooling liquid. If the consumer chooses different water-cooling liquids, the resulting impurities may cause peeling of the coating on some of the hardware, water channels blockage by built-up residue, improper operation of the water pump, water tank tube breakage, and o-rings deformation leading to leakage. Any issues related to the use of inappropriate water-cooling liquid will be the responsibility of the consumer.
Do not turn on the pump if the reservoir is empty.

注意：Bitspower 建议消费者使用蒸馏水、纯净水，加入Bitspower的染剂作为水冷液使用；如客户自行选购的水冷液导致电镀层剥落、水道堵塞、水泵转

 动不正常、水箱管破裂或密封圈变型以致漏水等及其它不可抗力之问题时，消费者自行承担相关产品责任。
未注水前，请勿启动水泵电源。



注意·跑水前·請先確認所有零件已安裝在正確的位置上·在不開主機·單開水泵的情況下·進行24小時的跑水測試·確保無漏水情況後再開主機·避免發生漏水而導致電腦零件的損壞。
Before fill in water, please make sure all the component be installed correctly, avoiding leaking happen and destroy the PC component.

注意·跑水前·请先确认所有零件已安装在正确的位置上·在不开主机·单开水泵的情况下·进行24小时的跑水测试·确保无漏水情况后再開主机·避免发生漏水而導致电脑零件的损坏。

本公司保留對產品的設計更改以及解釋的權力·如有更動恕不另行通知·產品顏色與配件以實物為準。

Bitspower reserves the right to change the product design and interpretations. These are subject to change without notice. Product colors and accessories are based on the actual product.

本公司保留对产品的設計更改以及解釋的權力·如有更動恕不另行通知·产品顏色与配件以實物為準。