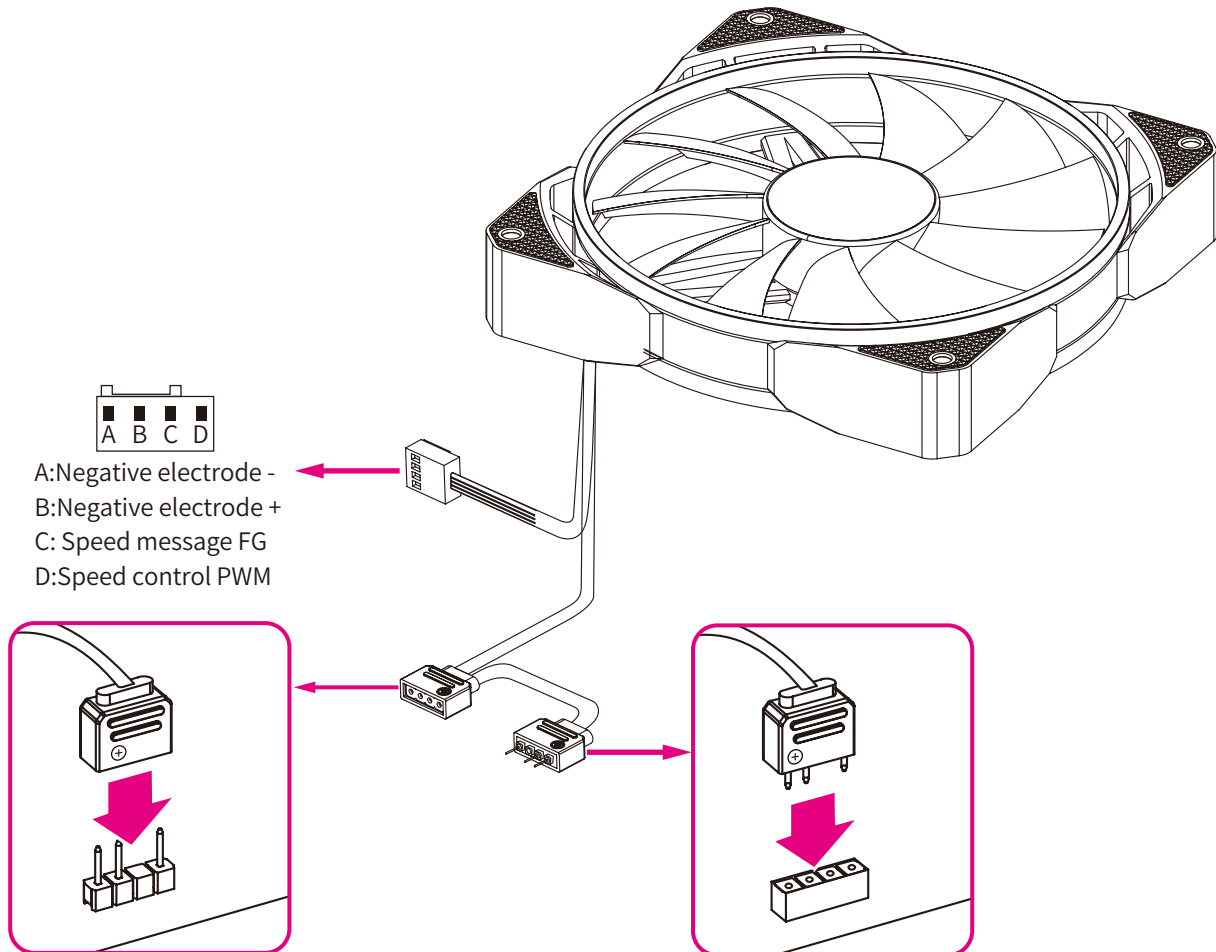


# Bitpower NJORD II 140 PWM Fan Digital RGB

v2

## Accessories

- 1** Screw 4 PCS



Specification			
Measurement	140x140x25mm	Max Airflow	57~60CFM(Max.)
Rated Voltage	Fan:DC 12V / LED:DC 5V	Air Pressure	1.2~1.3mm-H <sub>2</sub> O (Max.)
Operation Voltage	DC 8~13.2V(Max.)	Noise Level	25~35dBA(Max.)
Starting Voltage	≤ DC 8V	Life Time	30000 Hours
Rated Current	0.14~0.16A(Max.)	Number of Blades	11
Power Consumption	1.68~1.92 W(Max.)	Bearing Type	Hydro Bearing
Fan Speed	600~1500RPM±10%	Power Connector	PWM 4pin / DRGB 3pin header



## Notice

- Before filling in the water, please make sure all the components are installed correctly. To prevent any leakage which may damage the PC components, please perform a 24-hour leaking test with only the pump connected to the power supply.
- Bitspower reserves the right to change the product design and interpretations. These are subject to change without notice. Product colors and accessories are based on the actual product.
- When using leak tester on water cooling loop, in order to avoid product damage due to excessive pressure, the input pressure should not exceed  $0.5\text{kg/cm}^2$  (Bar). If the product is damaged due to excessive pressure, it will be borne by the customer. Forbidden to use the leak tester when there is water in the loop or the pump is running.
- Bitspower recommends that consumers add the Bitspower dye to distilled water or purified water for their water-cooling liquid. If the consumer chooses different water-cooling liquids, the resulting impurities may cause peeling of the coating on some of the hardware, water channels blockage by built-up residue, improper operation of the water pump, water tank tube breakage, and o-rings deformation leading to leakage. Any issues related to the use of inappropriate water-cooling liquid will be the responsibility of the consumer. Do not turn on the pump if the reservoir is empty.

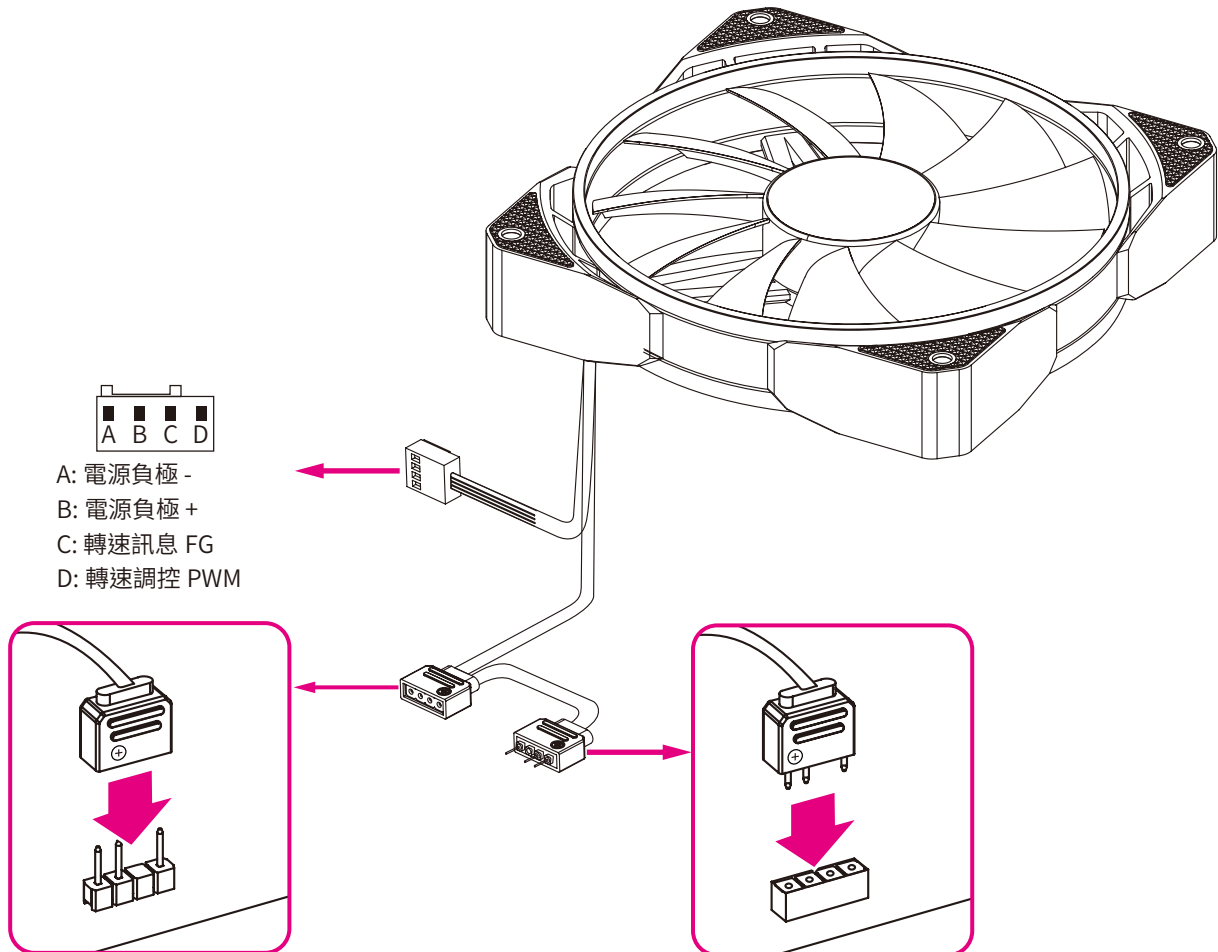
# Bitspower NJORD II 140 PWM Fan Digital RGB

V2

## 配件

**1** 螺絲

4 支



風扇規格			
尺寸	140x140x25mm	風量	57~60CFM(Max.)
額定電壓	Fan:DC 12V / LED:DC 5V	風壓	1.2~1.3mm-H <sub>2</sub> O (Max.)
工作電壓	DC 8~13.2V(Max.)	噪音	25~35dBA(Max.)
啟動電壓	≤ DC 8V	壽命	30000 Hours
額定電流	0.14~0.16A(Max.)	葉片數	11
功率消耗	1.68~1.92 W(Max.)	軸承	Hydro Bearing
轉速	600~1500RPM±10%	連接器	PWM 4pin / DRGB 3pin header



## **注意**

- 跑水前，請先確認所有零件已安裝在正確的位置上，在不開主機，單開水泵的情況下，進行 24 小時的跑水測試，確保無漏水情況後再開主機，避免發生漏水而導致電腦零件的損壞。
- 本公司保留對產品的設計更改以及解釋的權力，如有更動恕不另行通知，產品顏色與配件以實物為準。
- 當使用測氣產品測試水路時，為避免由于壓力過大導致產品損壞，輸入的壓力請不要超過  $0.5\text{kg/cm}^2$  (Bar), 如因壓力過大造成產品損壞，將由客戶自行承擔。嚴禁客戶在水路有水及水泵開啟的情況下進行氣體飽壓測試。
- Bitspower 建議消費者使用蒸餾水、純淨水，加入 Bitspower 的染劑作為水冷液使用；如客戶自行選購的水冷液導致電鍍層剝落、水道堵塞、水泵轉動不正常、水箱管破裂或密封圈變型以致漏水等及其它不可抗力之問題時，消費者自行承擔相關產品責任。未注水前，請勿啟動水泵電源。

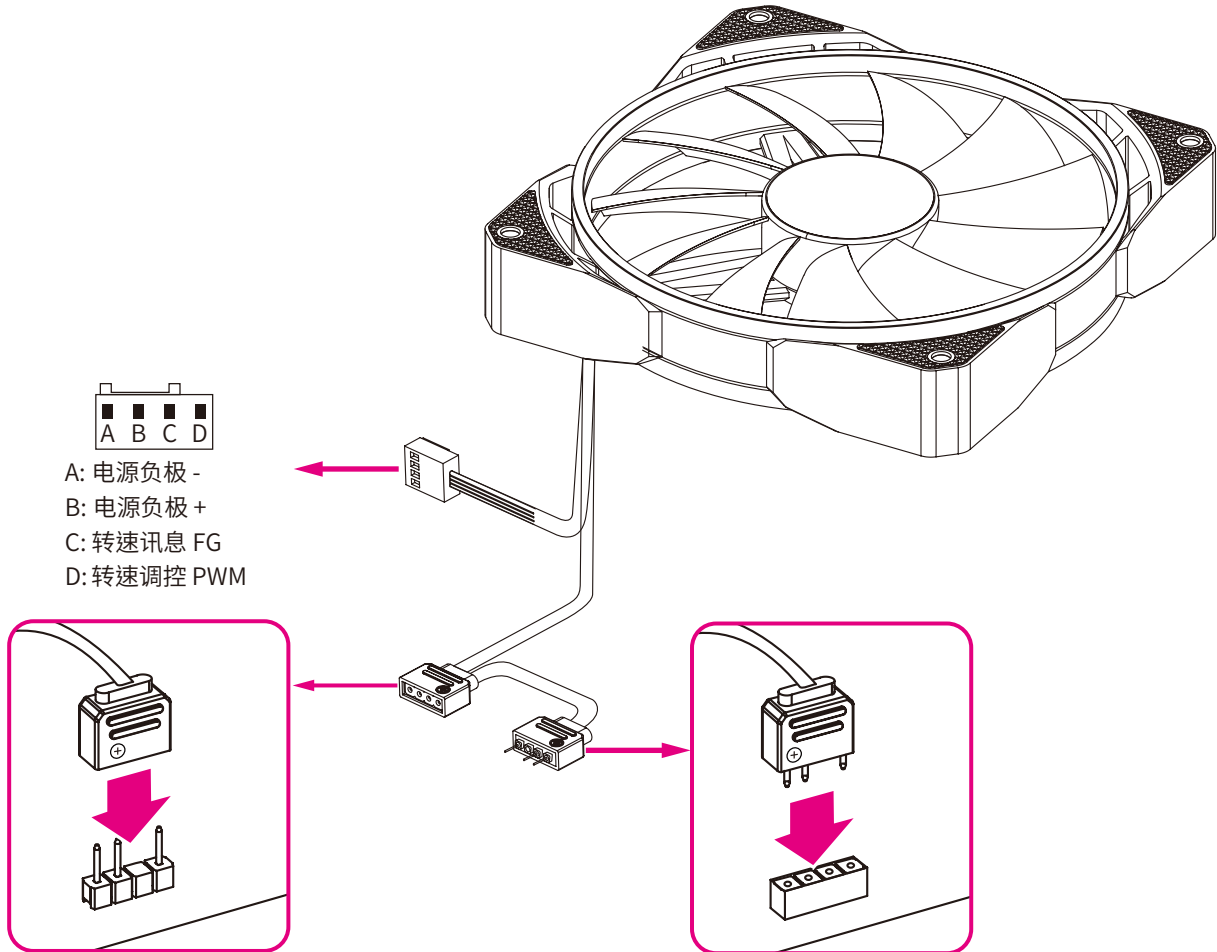
# Bitspower NJORD II 140 PWM Fan Digital RGB

V2

## 配件

**1** 螺丝

4 支



风扇规格			
尺寸	140x140x25mm	风量	57~60CFM(Max.)
额定电压	Fan:DC 12V / LED:DC 5V	风压	1.2~1.3mm-H <sub>2</sub> O (Max.)
工作电压	DC 8~13.2V(Max.)	噪音	25~35dBA(Max.)
启动电压	≤ DC 8V	寿命	30000 Hours
额定电流	0.14~0.16A(Max.)	叶片数	11
功率消耗	1.68~1.92 W(Max.)	轴承	Hydro Bearing
转速	600~1500RPM±10%	连接器	PWM 4pin / DRGB 3pin header

## 注意

- 跑水前，请先确认所有零件已安装在正确的位置上，在不开主机，单开水泵的情况下，进行 24 小时的跑水测试，确保无漏水情况后再开主机，避免发生漏水而导致电脑零件的损坏。
- 本公司保留对产品的设计更改以及解释的权力，如有更动恕不另行通知，产品颜色与配件以实物为准。
- 当使用测气产品测试水路时，为避免由于压力过大导致产品损坏，输入的压力请不要超过  $0.5\text{kg/cm}^2$  (Bar), 如因压力过大造成产品损坏，将由客户自行承担。严禁客户在水路有水及水泵开启的情况下进行气体饱压测试。
- Bitspower 建议消费者使用蒸馏水、纯净水，加入 Bitspower 的染剂作为水冷液使用；如客户自行选购的水冷液导致电镀层剥落、水道堵塞、水泵转动不正常、水箱管破裂或密封圈变型以致漏水等及其它不可抗力之问题时，消费者自行承担相关产品责任。未注水前，请勿启动水泵电源。