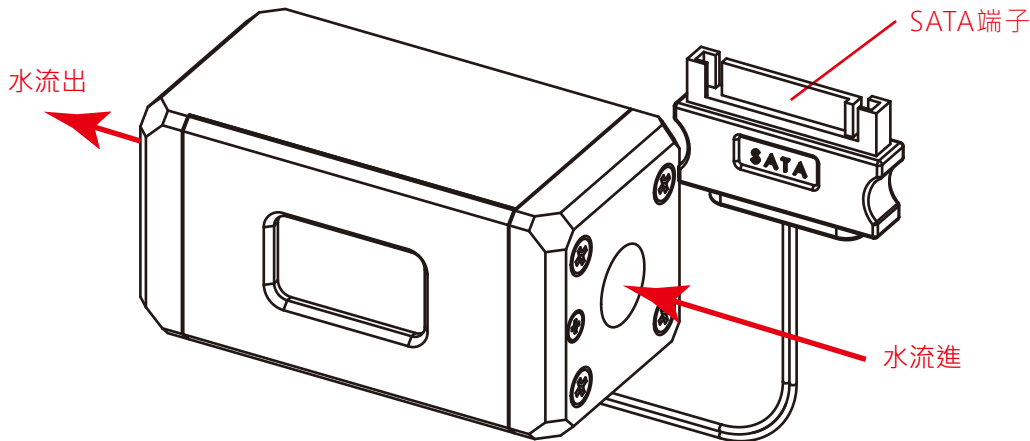




Bitspower®

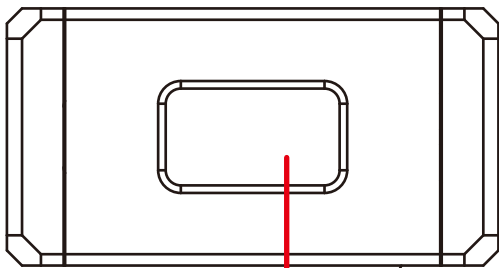
Digital Flow Meter Display

安裝說明書 / Installation Guide / 安装说明书



牙 規 : G1/4"
 工作電壓 : DC 4.5V~5.5V
 流量範圍 : 0.5-30.0 LPM±5%
 工作電流 : <200 mA

◀ 功能介紹



產品工作界面，葉輪帶動畫效果，顯示流量量程為0.1-30.0LPM，精度±5%，當流量低於10.0LPM時，不顯示十位數。



自流量計通電起算，大概6s 開始檢測流量，當檢測到通流流量低於0.5LPM 或流量計轉子工作異常時，立即顯示報警界面，同時蜂鳴器間斷鳴叫報警




注意：跑水前，請先確認所有零件已安裝在正確的位置上，在不開主機，單開水泵的情況下，進行24小時的跑水測試，確保無漏水情況後再開主機，避免發生漏水而導致電腦零件的損壞。本公司保留對產品的設計更改以及解釋的權力，如有更動恕不另行通知，產品顏色與配件以實物為準。



故障與維修			
	故障現象	原因分析	解決方法
1	顯示屏不亮	電源線沒插好	重新連接電源接口
2	蜂鳴器響度異常	蜂鳴器不響	重新連接電源接口
3	蜂鳴器響度異常	蜂鳴器響度低	檢查電源電壓是否為5V
4	警報長鳴	轉子卡死	清除轉子套筒中的異物
注意事項			
1	通電前必須確保電源極性及電壓均符合規範		
2	裝配時，FPC排線強行不能折彎		

注意：Bitspower建議消費者使用蒸餾水、純淨水，加入Bitspower的染劑作為水冷液使用；如客戶自行

 選購的水冷液導致電鍍層剝落、水道堵塞、水泵轉動不正常、水箱管破裂或密封圈變型以致漏水等及其它不可抗力之問題時，消費者自行承擔相關產品責任。

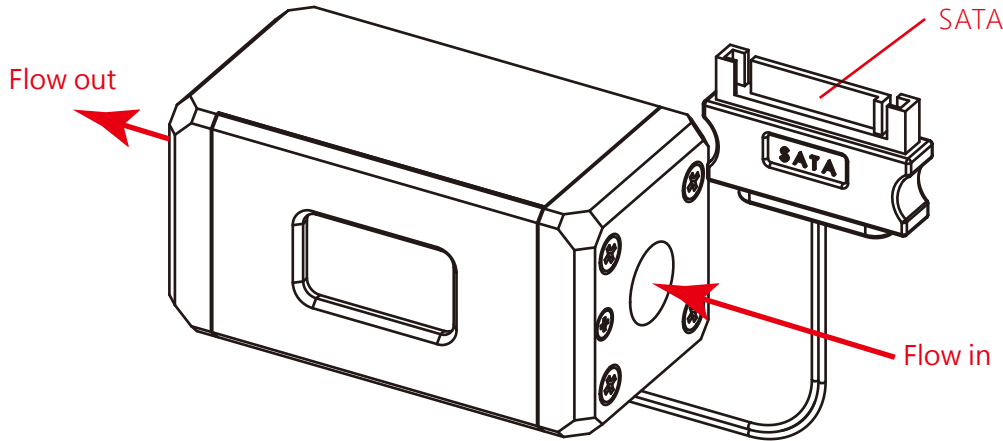
未注水前，請勿啟動水泵電源。



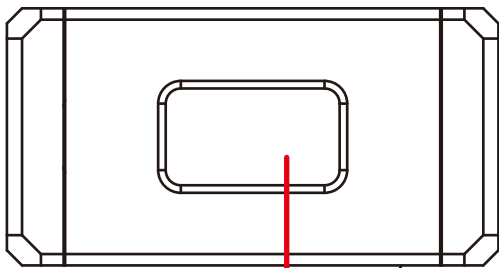
注意：跑水前，請先確認所有零件已安裝在正確的位置上，在不開主機，單開水泵的情況下，進行24小時的跑水測試，確保無漏水情況後再開主機，避免發生漏水而導致電腦零件的損壞。本公司保留對產品的設計更改以及解釋的權力，如有更動恕不另行通知，產品顏色與配件以實物為準。



Thread : G1/4"
Operate voltage : DC 4.5V~5.5V
Flow : 0.5-30.0 LPM±5%
Operate current : <200 mA



< Features



Product work interface, impeller with animation effect, The display flow range is 0.1-30.0LPM, fine Degree ±5%, when the flow rate is lower than 10.0LPM, The tens digit is not displayed.



After the flowmeter is energized, it will start to detect the flow in about 6 seconds. When it is detected that the flow rate is lower than 0.5LPM or the flow meter rotates. When the sub-work is abnormal, the alarm interface will be displayed immediately, and at the same time Intermittent buzzer alarm.



Before filling in the water, please make sure all the components are installed correctly. To prevent any leakage which may damage the PC components, please perform a 24-hour leaking test with only the pump connected to the power supply .

Bitspower reserves the right to change the product design and interpretations. These are subject to change without notice. Product colors and accessories are based on the actual product.



Failure and repair			
	Failure	Reason	Solution
1	The display does not light up.	The power cord is not plugged in.	Reconnect the power connector.
2	The buzzer loudness is abnormal.	The buzzer does not sound.	Reconnect the power connector.
3	The buzzer loudness is abnormal.	Low buzzer loudness.	Check whether the power supply voltage is 5V.
4	Long buzzer	Rotor stuck	Remove foreign objects in the rotor sleeve
Precautions			
1	Make sure that the polarity and voltage of the power supply meet the specifications before powering on.		
2	When assembling, the FPC cable cannot be bent forcibly.		

Notice: Bitspower recommends that consumers add the Bitspower dye to distilled water or purified water for their water-cooling liquid. If the consumer chooses different water-cooling liquids, the resulting impurities may cause peeling of the coating on some of the hardware, water channels blockage by built-up residue, improper operation of the water pump, water tank tube breakage, and o-rings deformation leading to leakage. Any issues related to the use of inappropriate water-cooling liquid will be the responsibility of the consumer.

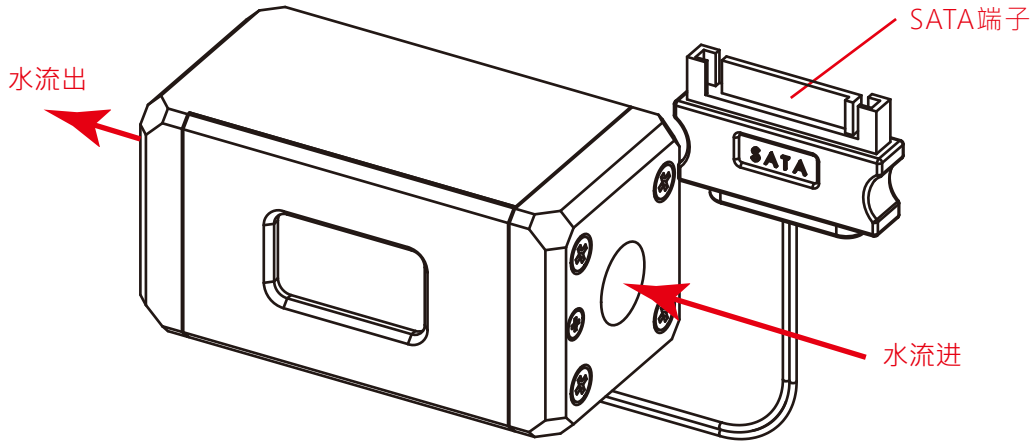


Do not turn on the pump if the reservoir is empty.



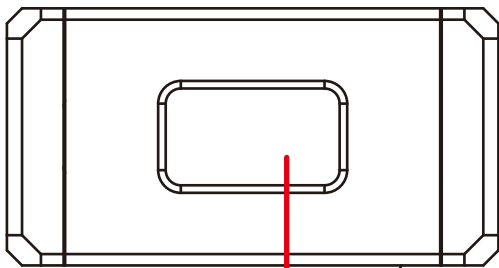
Before filling in the water, please make sure all the components are installed correctly. To prevent any leakage which may damage the PC components, please perform a 24-hour leaking test with only the pump connected to the power supply.

Bitspower reserves the right to change the product design and interpretations. These are subject to change without notice. Product colors and accessories are based on the actual product.



牙 规 : G1/4"
 工作电压 : DC 4.5V~5.5V
 流量范围 : 0.5-30.0 LPM±5%
 工作电流 : <200 mA

◀ 功能介绍



产品工作界面，叶轮带动画效果，显示流量量程为0.1-30.0LPM，精度±5%，当流量低于10.0LPM时，不显示十位数。



自流量计通电起算，大概6s开始检测流量，当检测到通流流量低于0.5LPM或流量计转子工作异常时，立即显示报警界面，同时蜂鸣器间断鸣叫报警



注意·跑水前，请先确认所有零件已安装在正确的位置上·在不开主机·单开水泵的情况下·进行24小时的跑水测试·确保无漏水情况后再开主机·避免发生漏水而导致电脑零件的损坏·
 本公司保留对产品的设计更改以及解释的权力·如有更动恕不另行通知·产品颜色与配件以实物为准·



故障与维修			
	故障现象	原因分析	解决方法
1	显示屏不亮	電源線沒插好	重新连接电源接口
2	蜂鸣器响度异常	蜂鳴器不響	重新连接电源接口
3	蜂鸣器响度异常	蜂鳴器響度低	检查电源电压是否为5V
4	警报长鸣	轉子卡死	清除转子套筒中的异物
注意事項			
1	通電前必須確保電源極性及電壓均符合規範		
2	裝配時，FPC排線強行不能折彎		

注意：Bitspower建议消费者使用蒸馏水、纯净水，加入Bitspower的染料作为水冷液使用；如客户自行



选购的水冷液导致电镀层剥落、水道堵塞、水泵转动不正常、水箱管破裂或密封圈变形以致漏水等及其它不可抗力之问题时，消费者自行承担相关产品责任。

未注水前，请勿启动水泵电源。



注意：跑水前，请先确认所有零件已安装在正确的位置上。在不开主机、单开水泵的情况下，进行24小时的跑水测试，确保无漏水情况后再开主机，避免发生漏水而导致电脑零件的损坏。本公司保留对产品的设计更改以及解释的权力，如有更动恕不另行通知，产品颜色与配件以实物为准。