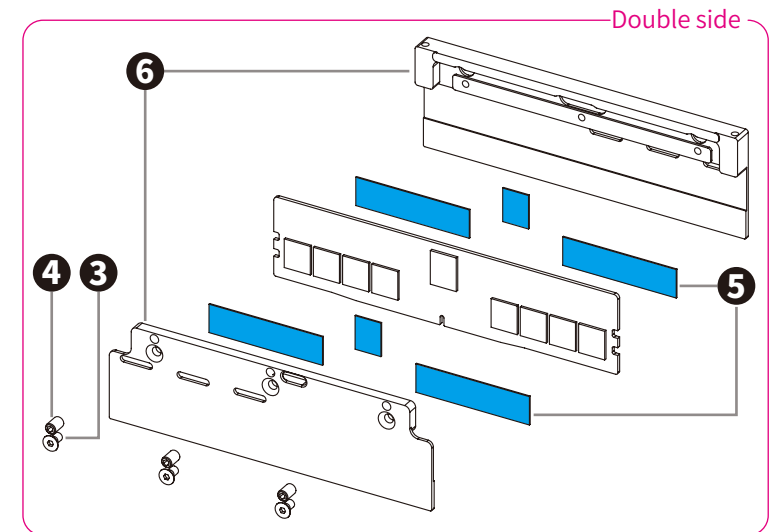
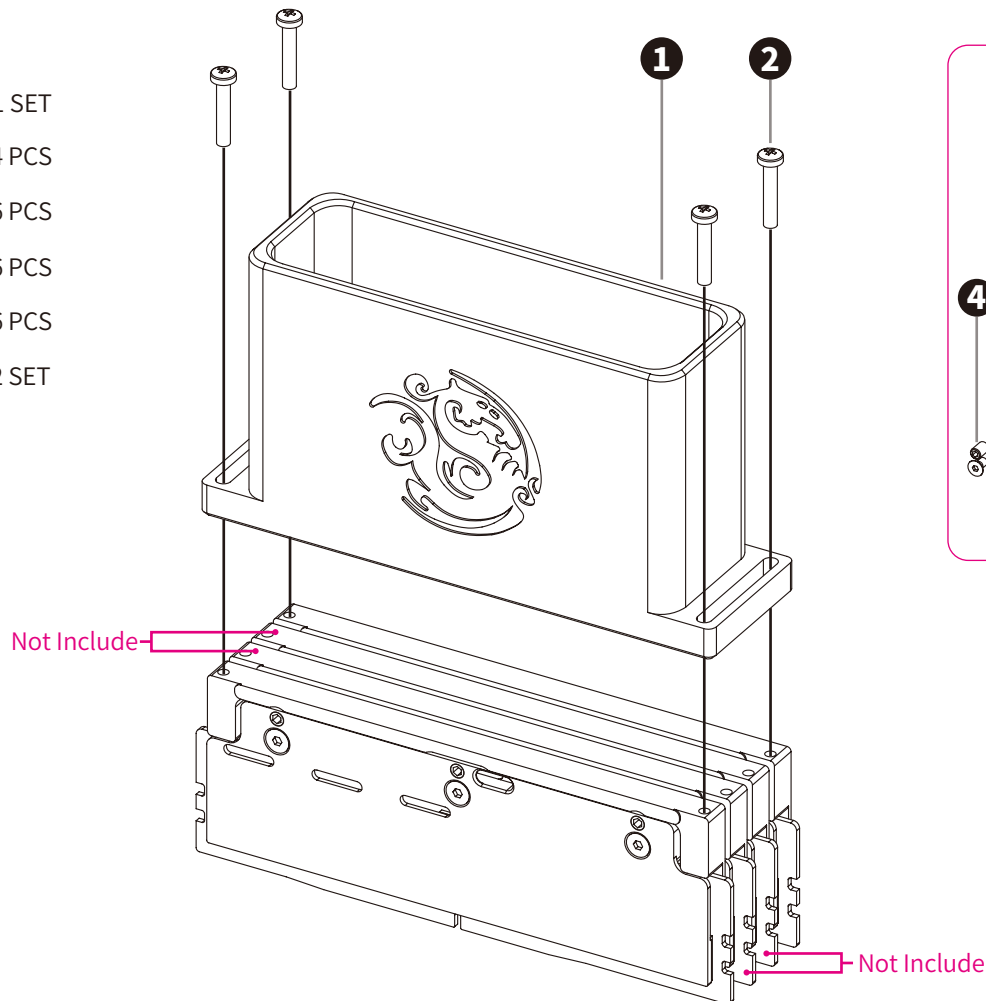


Bitpower Universal Memory LN2 Container with 2 Covers (DDR5, Double-sided module)

V4

Accessories

- | | | |
|----------|------------------|-------|
| 1 | LN2 Main | 1 SET |
| 2 | M2.5x12 Screw | 4 PCS |
| 3 | M3x8mm Screw | 6 PCS |
| 4 | Set Screw | 6 PCS |
| 5 | 1 mm Thermal pad | 6 PCS |
| 6 | RAM Heat Sink | 2 SET |



Notice

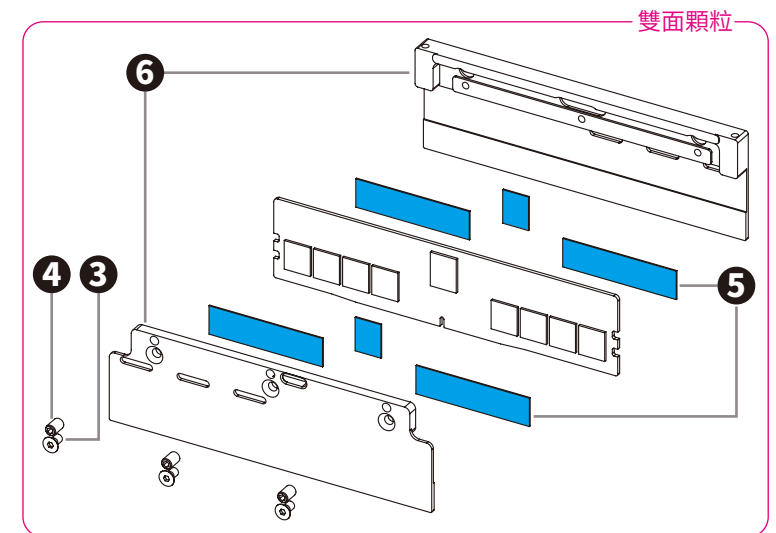
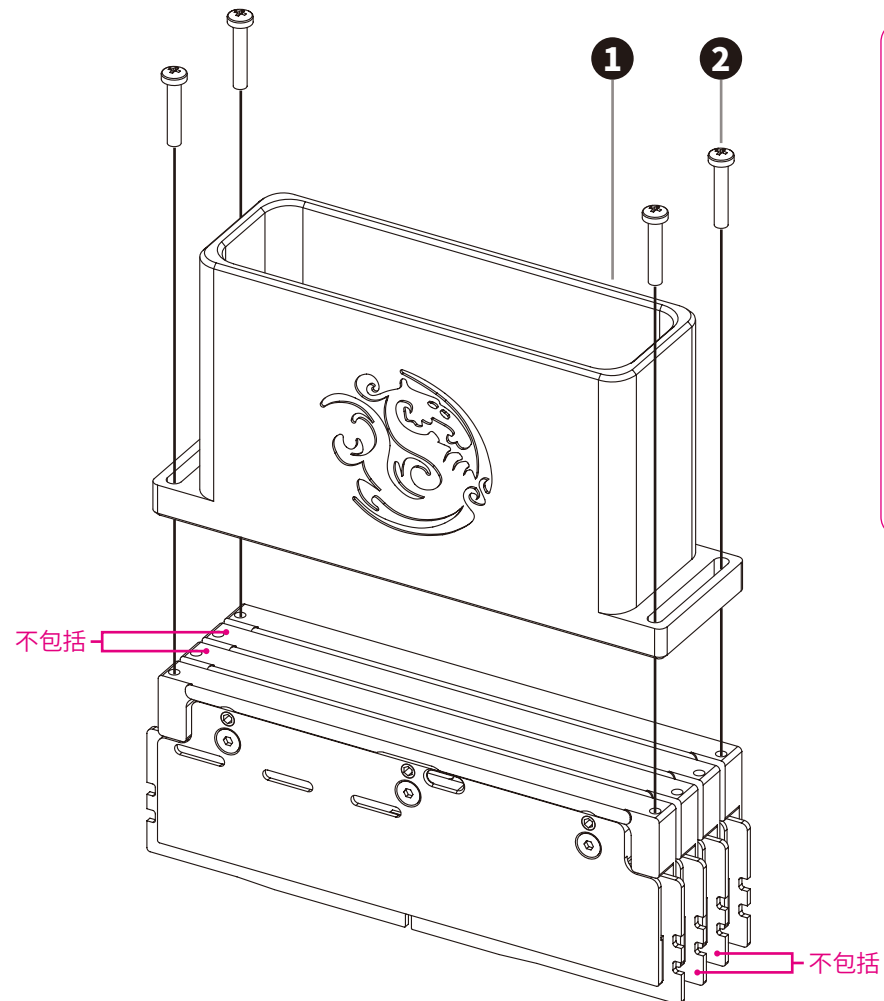
- Before filling in the water, please make sure all the components are installed correctly. To prevent any leakage which may damage the PC components, please perform a 24-hour leaking test with only the pump connected to the power supply.
- Bitspower reserves the right to change the product design and interpretations. These are subject to change without notice. Product colors and accessories are based on the actual product.
- When using leak tester on water cooling loop, in order to avoid product damage due to excessive pressure, the input pressure should not exceed $0.5\text{kg}/\text{cm}^2$ (Bar). If the product is damaged due to excessive pressure, it will be borne by the customer. Forbidden to use the leak tester when there is water in the loop or the pump is running.
- Bitspower recommends that consumers use the Bitspower Pellucid Coolant for their water-cooling liquid. Also, they can add Bitspower Dye to Pellucid Coolant for the color requirement. If the consumer chooses different water-cooling liquids, the resulting impurities may cause peeling off the coating on some of the hardware, water channels blockage by built-up residue, improper operation of the water pump, water tank tube breakage, and o-rings deformation leading to leakage. Any issues related to the use of inappropriate water-cooling liquid will be the responsibility of the consumer.

Bitpower Universal Memory LN2 Container with 2 Covers (DDR5, Double-sided module)

V4

配件

- | | | |
|----------|------------|-----|
| 1 | LN2 本體 | 1 組 |
| 2 | M2.5x12 螺絲 | 4 支 |
| 3 | M3x8mm 螺絲 | 6 支 |
| 4 | 止付螺絲 | 6 支 |
| 5 | 1 mm 導熱墊片 | 6 片 |
| 6 | 記憶體夾片 | 2 組 |



注意

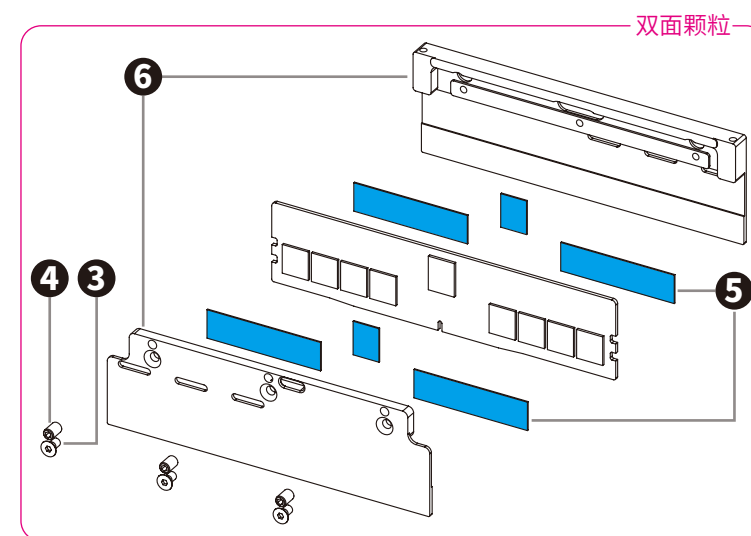
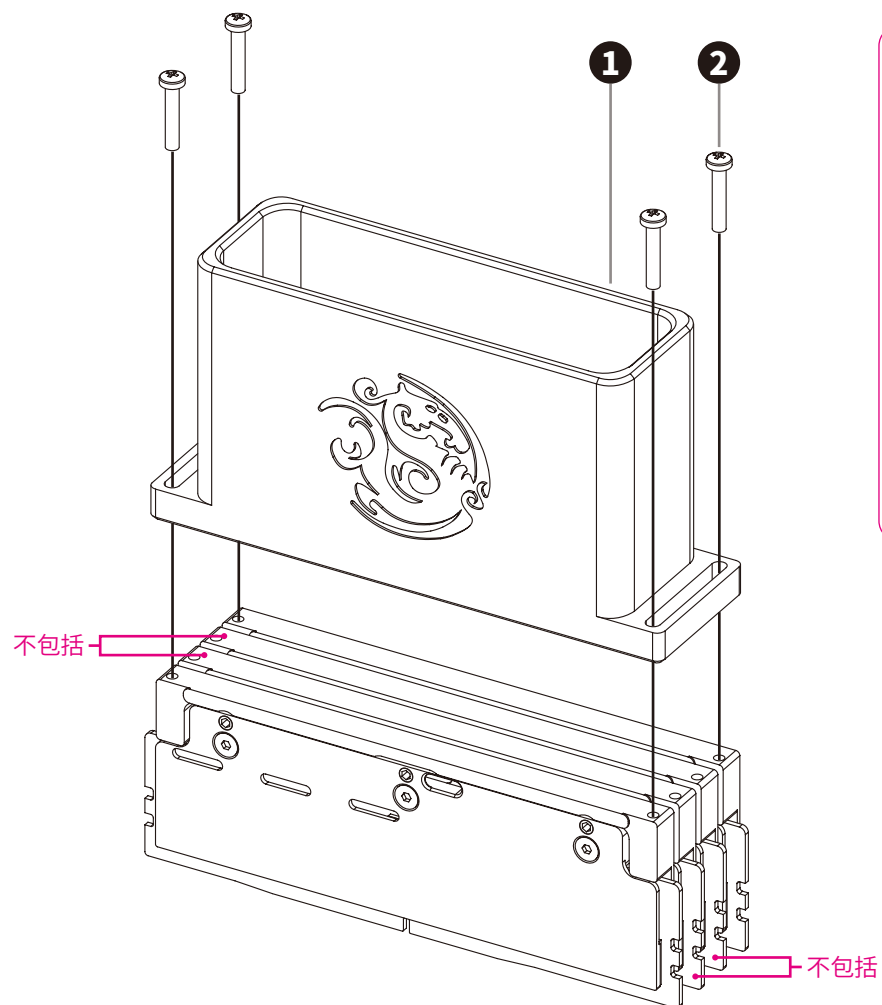
- 跑水前，請先確認所有零件已安裝在正確的位置上，在不開主機，單開水泵的情況下，進行 24 小時的跑水測試，確保無漏水情況後再開主機，避免發生漏水而導致電腦零件的損壞。
- 本公司保留對產品的設計更改以及解釋的權力，如有更動恕不另行通知，產品顏色與配件以實物為準。
- 當使用測氣產品測試水路時，為避免由于壓力過大導致產品損壞，輸入的壓力請不要超過 0.5kg/cm^2 (Bar), 如因壓力過大造成產品損壞，將由客戶自行承擔。嚴禁客戶在水路有水及水泵開啟的情況下進行氣體飽壓測試。
- Bitspower 建議消費者使用 Bitspower 透明冷卻液。此外，也可以添加 Bitspower 染料到透明冷卻液中以滿足顏色要求。如果消費者選擇不同的水冷液，可能會引起水路配件中的塗層剝落、積垢堵塞水道、水泵磨損、水箱管破裂、破壞 O 型圈密封性導致漏水等。任何因使用不當水冷液導致相關的問題將由消費者自行負責。

Bitpower Universal Memory LN2 Container with 2 Covers (DDR5, Double-sided module)

V4

配件

- | | | |
|----------|------------|-----|
| 1 | LN2 本体 | 1 组 |
| 2 | M2.5x12 螺丝 | 4 支 |
| 3 | M3x8mm 螺丝 | 6 支 |
| 4 | 止付螺丝 | 6 支 |
| 5 | 1 mm 导热垫片 | 6 片 |
| 6 | 记忆体夹片 | 2 组 |



注意

- 跑水前，请先确认所有零件已安装在正确的位置上，在不开主机，单开水泵的情况下，进行 24 小时的跑水测试，确保无漏水情况后再开主机，避免发生漏水而导致电脑零件的损坏。
- 本公司保留对产品的设计更改以及解释的权力，如有更动恕不另行通知，产品颜色与配件以实物为准。
- 当使用测气产品测试水路时，为避免由于压力过大导致产品损坏，输入的压力请不要超过 0.5kg/cm^2 (Bar), 如因压力过大造成产品损坏，将由客户自行承担。严禁客户在水路有水及水泵开启的情况下进行气体饱压测试。
- Bitspower 建议消费者使用 Bitspower 透明冷却液。此外，也可以添加 Bitspower 染料到透明冷却液中以满足颜色要求。如果消费者选择不同的水冷液，可能会引起水路配件中的涂层剥落、积垢堵塞水道、水泵磨损、水箱管破裂、破坏 O 型圈密封性导致漏水等。任何因使用不当水冷液导致相关的问题将由消费者自行负责。